

For reference only. See data sheet for the detailed specifications.

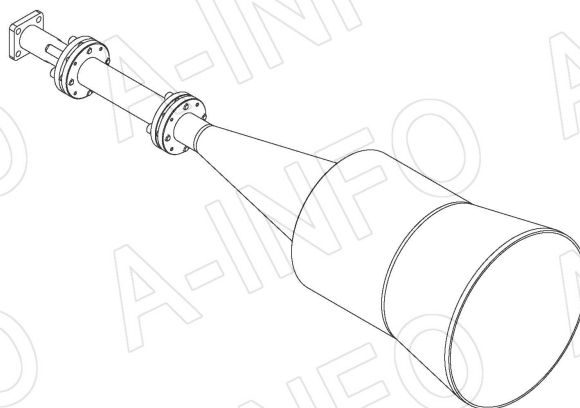
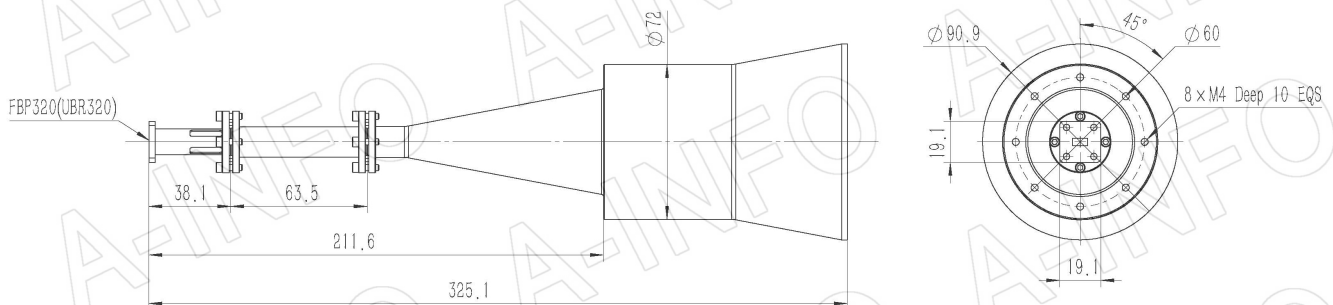
## Technical Specification



Frequency Range(GHz)	23.5 – 43.5
Waveguide	WR28
Gain(dBic)	25 Typ.
Polarization	LHCP
Axial Ratio(dB)	2.5 Typ. ; 4.0 Max.
3dB Beamwidth(deg)	E Plane: 8 Typ.
	H Plane: 8 Typ.
VSWR	A Type: 1.25:1 Max.
	C Type: 1.50:1 Max.
Output	A Type: FBP320(UBR320)
	C Type: 2.4mm-Female or 2.92mm-Female
Material	Al
Finish	Gold Plated and Silver Plated, Gray Paint
Size(mm)	A Type: 90.9 x 90.9 x 325.1
	C Type: 90.9 x 90.9 x 348
Net Weight(Kg)	A Type: 0.45 Around
	C Type: 0.49 Around

## Outline Drawing (Size: mm)

FBP320 Output (P/N: LB-CNH-28-25-L62-A)



**AINFO Inc.**

China(Beijing): Tel: (+86) 10-6266-7326,  
China(Chengdu): Tel: (+86) 28-8519-2786,  
USA : Tel: (+1) 949-639-9688,

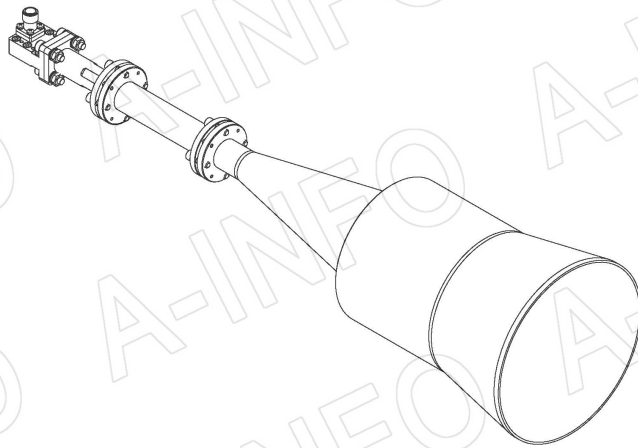
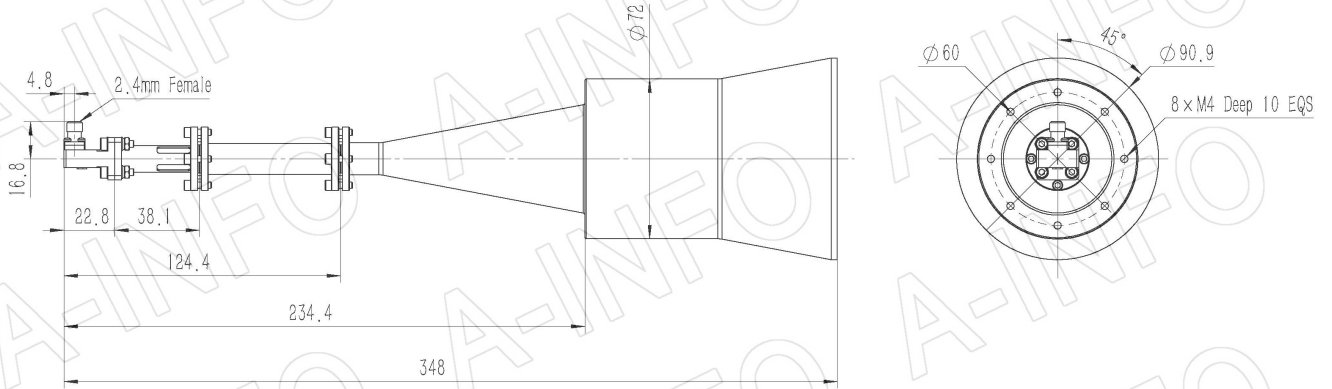
Page 1 of 12

(+86) 10-6266-7327 Fax: (+86) 10-6266-7379  
(+86) 28-8519-3044 Fax: (+86) 28-8519-3068  
(+1) 949-639-9608 Fax: (+1) 949-639-9670

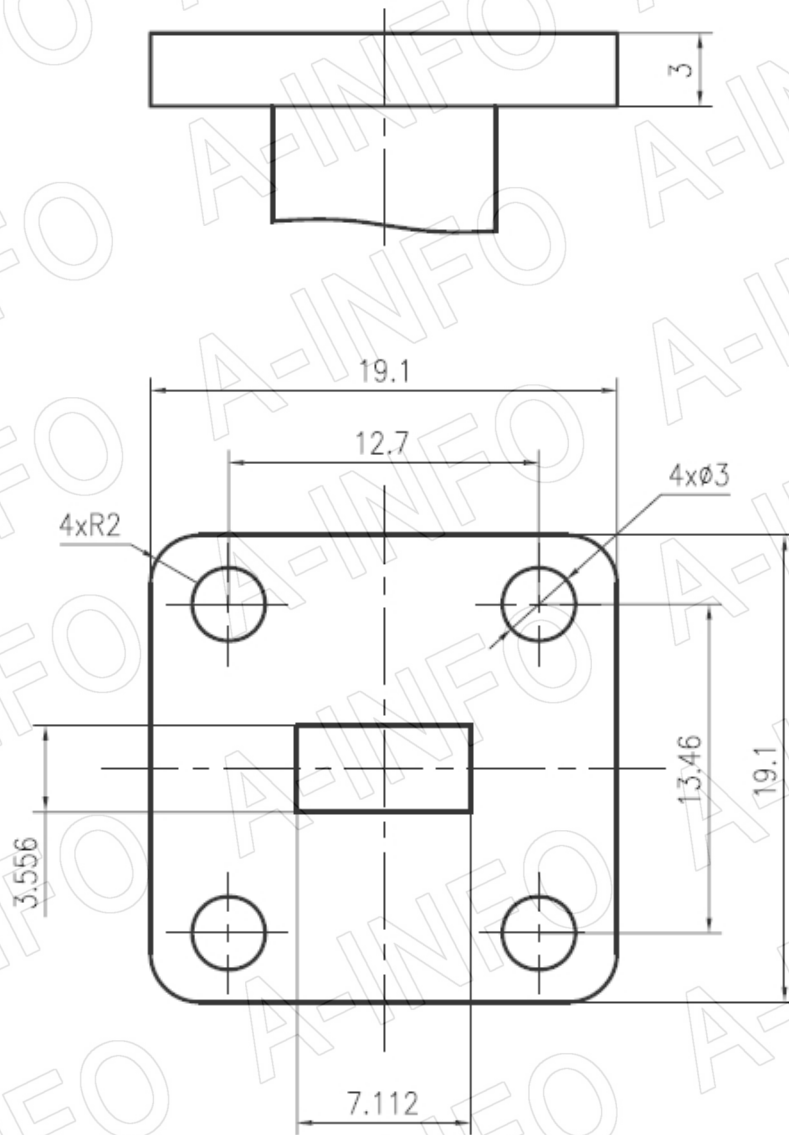
Website: [www.ainfoinc.com](http://www.ainfoinc.com)  
Email: [sales@ainfoinc.com](mailto:sales@ainfoinc.com)

**2.4mm-Female Output (P/N: LB-CNH-28-25-L62-C-2.4F)**

For 2.92mm-Female output outline drawing, please contact A-INFO.



## Flange Drawing (Size: mm)



FBP320

### AINFO Inc.

China(Beijing): Tel: (+86) 10-6266-7326,  
China(Chengdu): Tel: (+86) 28-8519-2786,  
USA: Tel: (+1) 949-639-9688,

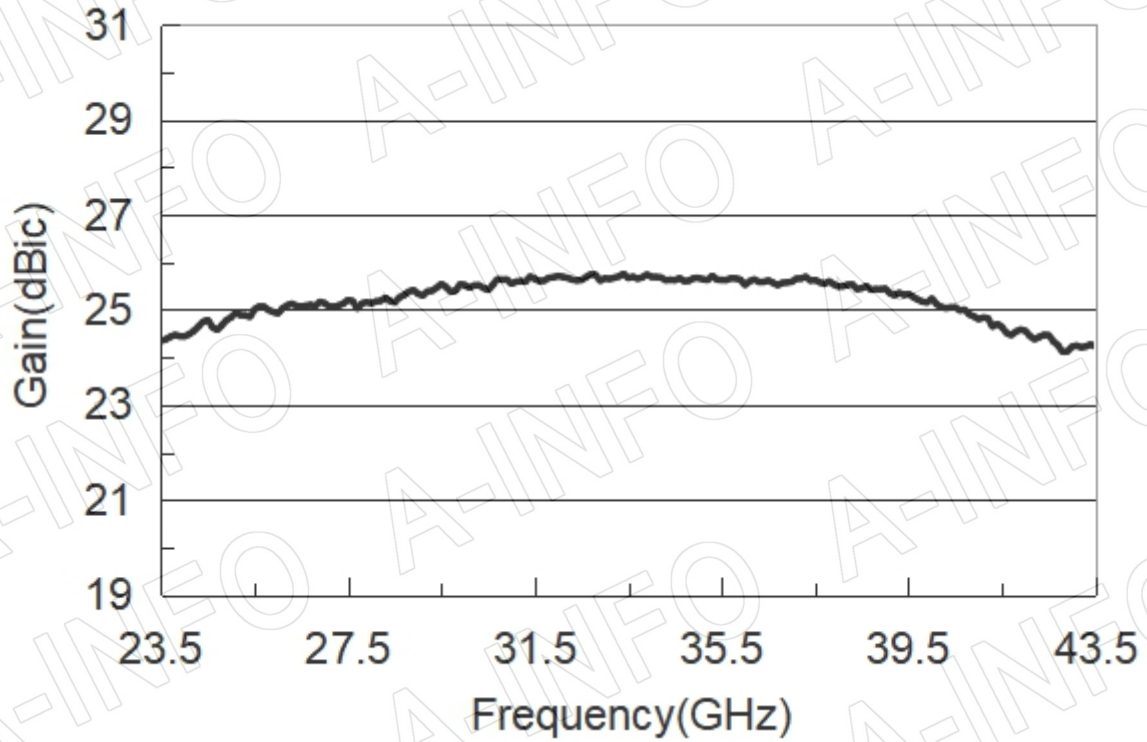
Page 3 of 12

(+86) 10-6266-7327 Fax: (+86) 10-6266-7379  
(+86) 28-8519-3044 Fax: (+86) 28-8519-3068  
(+1) 949-639-9608 Fax: (+1) 949-639-9670

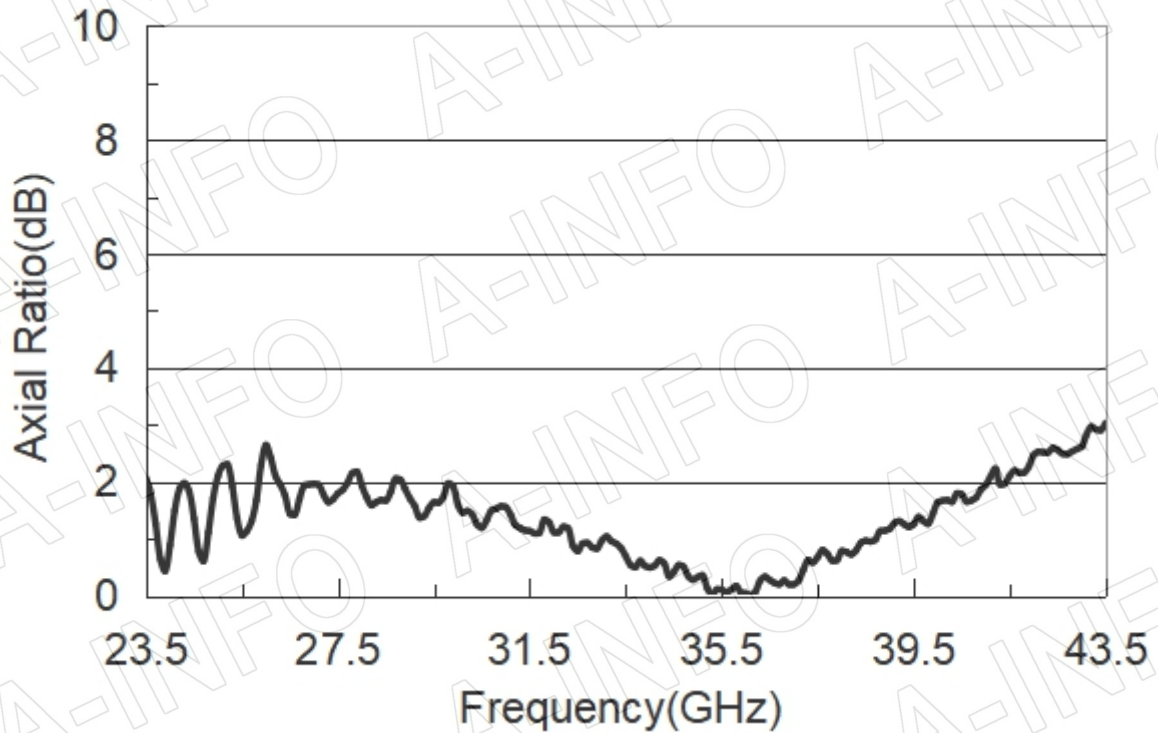
Website: [www.ainfoinc.com](http://www.ainfoinc.com)  
Email: [sales@ainfoinc.com](mailto:sales@ainfoinc.com)

## Test Results

### 1. Gain

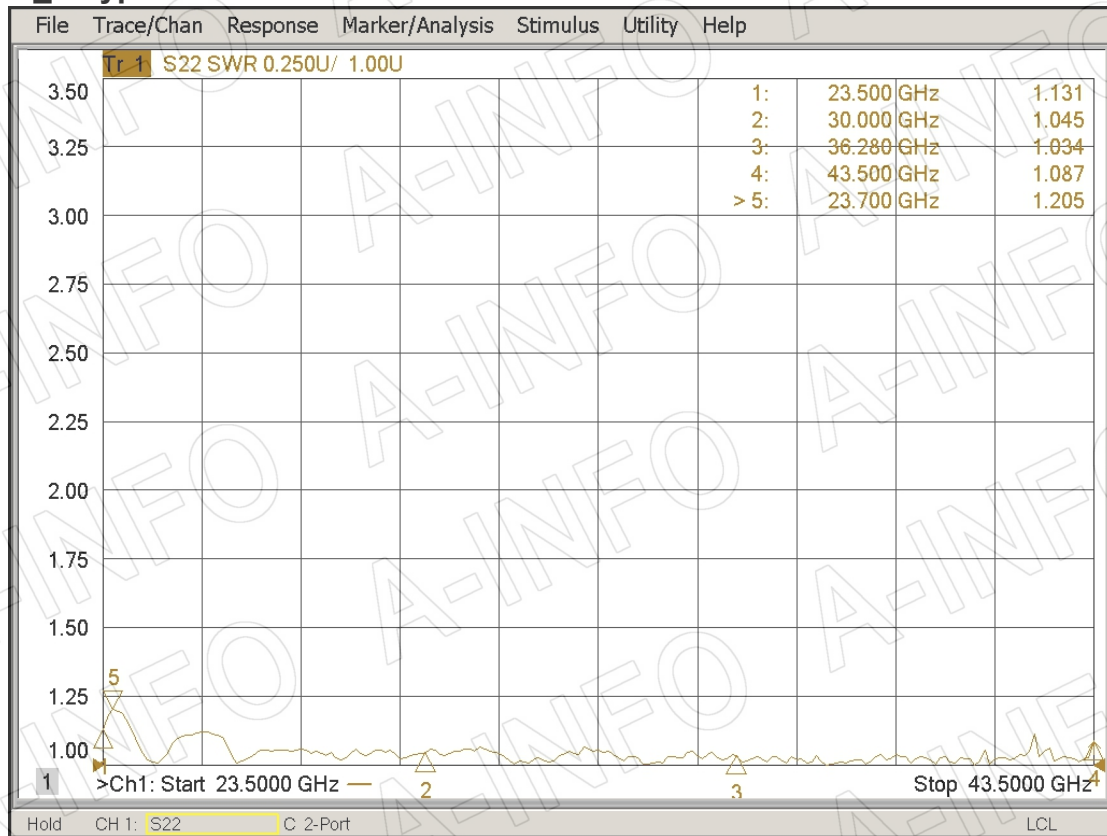


### 2. Axial Ratio

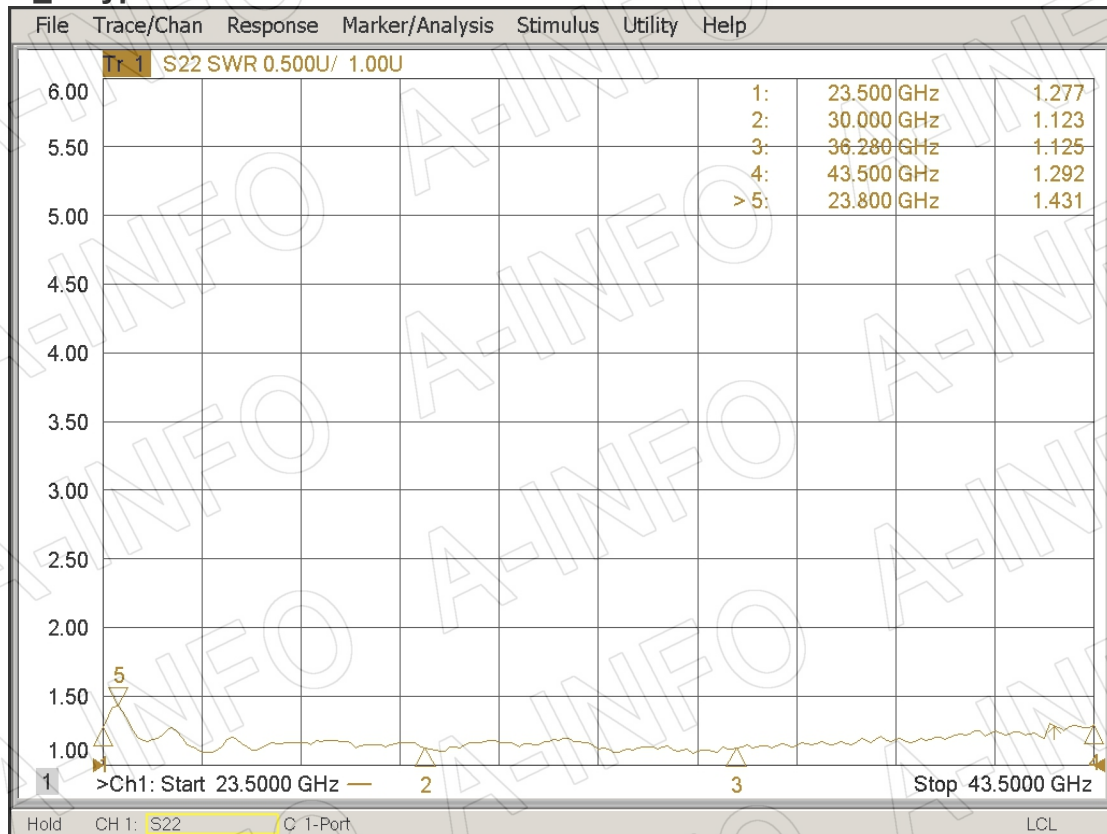




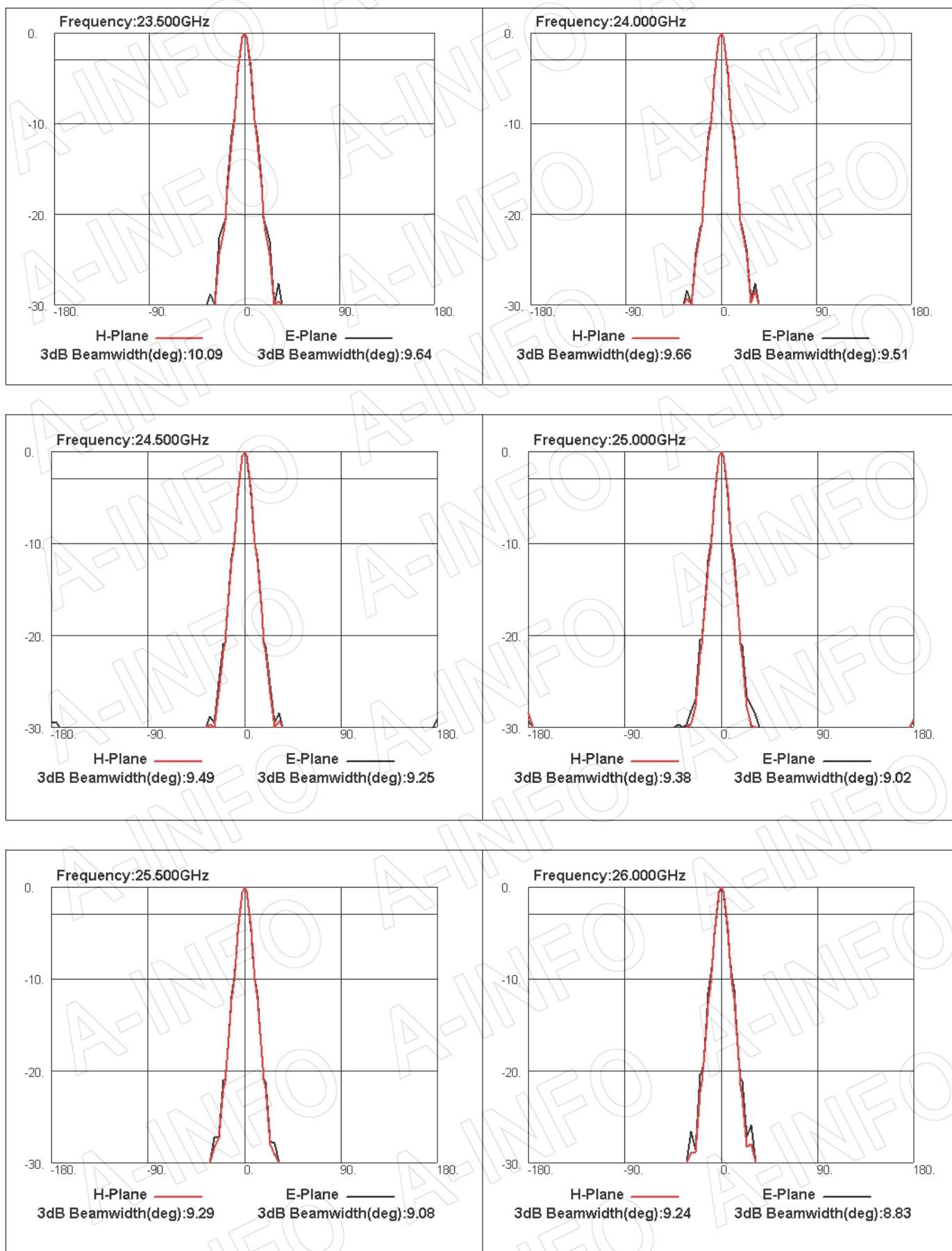
### 3. VSWR\_A Type



### VSWR\_C Type



## 4. Pattern



**AINFO Inc.**

China(Beijing):  
China(Chengdu):  
USA :

Tel: (+86) 10-6266-7326,  
Tel: (+86) 28-8519-2786,  
Tel: (+1) 949-639-9688,

(+86) 10-6266-7327  
(+86) 28-8519-3044  
(+1) 949-639-9608

Fax: (+86) 10-6266-7379  
Fax: (+86) 28-8519-3068  
Fax: (+1) 949-639-9670

Website: [www.ainfoinc.com](http://www.ainfoinc.com)  
Email: [sales@ainfoinc.com](mailto:sales@ainfoinc.com)

